



# APPENDIX **E**

## Installing the Wall Mount for the Cisco Unified IP Phone 6901 and 6911

This appendix contains information on installing the wall mount for use with the Cisco Unified IP Phone 6901 and 6911 phones.

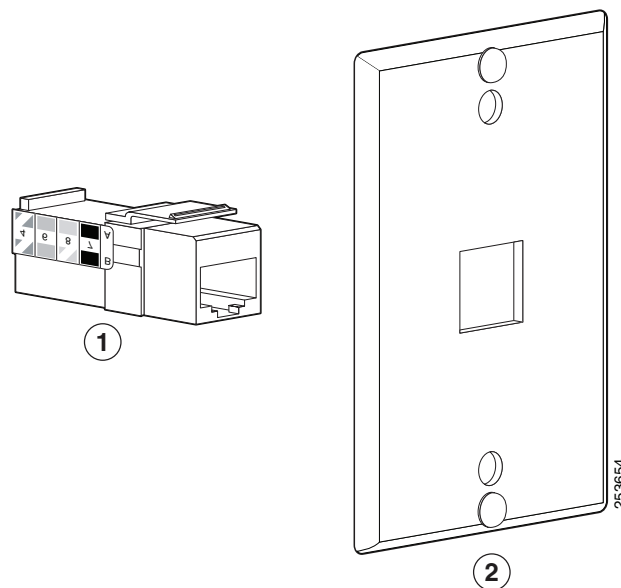
### Installing a Wall Mount for the Cisco Unified IP Phone 6901

The following section describes how to install the Wall Mount plate for use with the Cisco Unified IP Phone 6901.

Cisco recommends that you use the Leviton Wall Mount plate (Leviton type number: 4108W-0SP) for mounting the Cisco Unified IP Phone 6901. The wall mount plate must be ordered separately from the phone.

[Figure E-1](#) shows a list of items required to mount the Cisco Unified IP Phone 6901 on the wall using the Leviton Wall Mount plate.

**Figure E-1** Leviton Wall Mount Plate

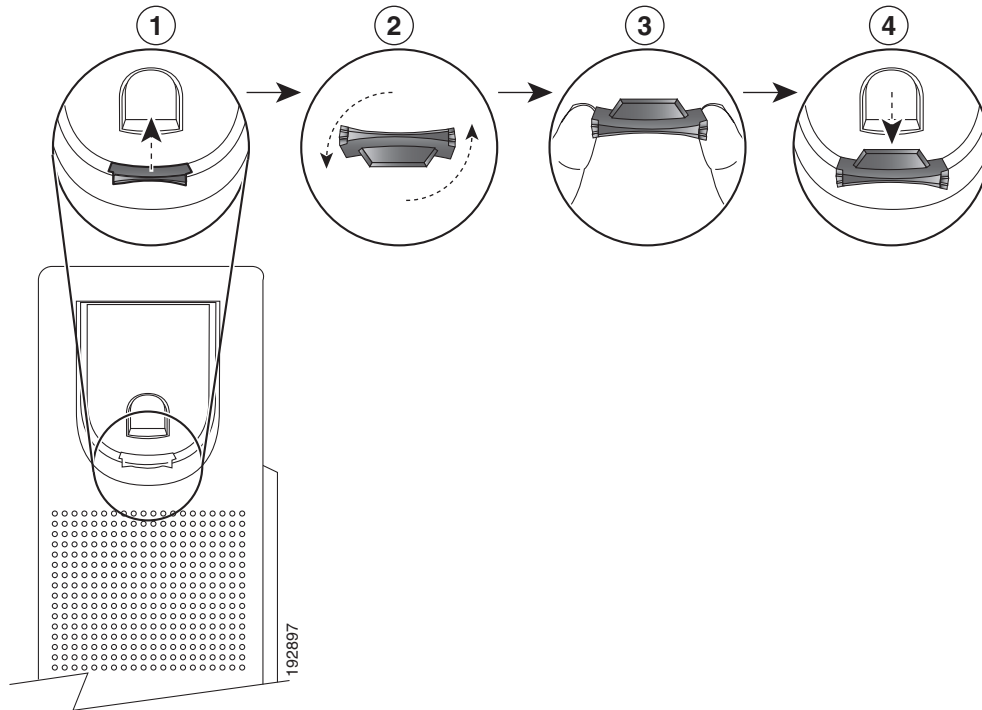


<b>1</b>	RJ45 Connector	<b>2</b>	Leviton Wall Mount Plate
----------	----------------	----------	--------------------------

## Before You Begin

Before you mount the phone on the wall, ensure that the handset rest is such that the receiver will not slip out of the cradle (Figure E-2).

**Figure E-2** Preparing the Handset Hookswitch



<b>1</b>	Remove the handset from the cradle and pull the plastic tab from the handset rest.
<b>2</b>	Rotate the tab 180 degrees.
<b>3</b>	Hold the tab between two fingers, with the corner notches facing you. Make sure the tab lines up evenly with the slot in the handset cradle. (Figure E-2).
<b>4</b>	Press the tab evenly into the slot. An extension protrudes from the top of the rotated tab. Return the handset to the handset rest.

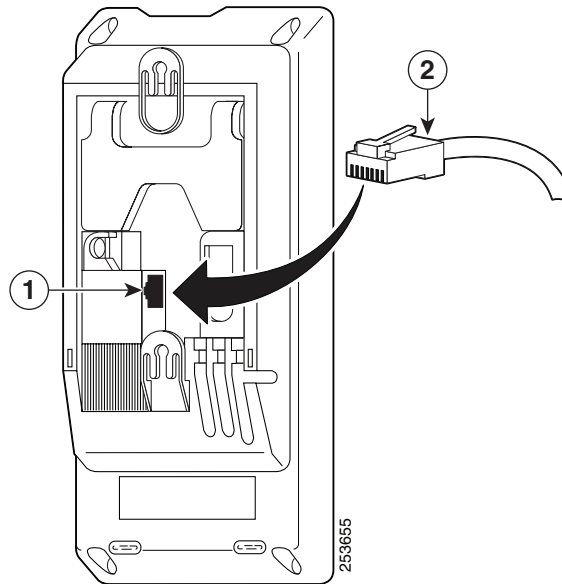
## Installing the Phone on Wall Mount Plate

To install the phone on the wall mount plate, follow these steps:

### Procedure

- Step 1** Plug the telephone line cord (RJ45 connector) into the phone jack at the base of the phone ([Figure E-3](#)).

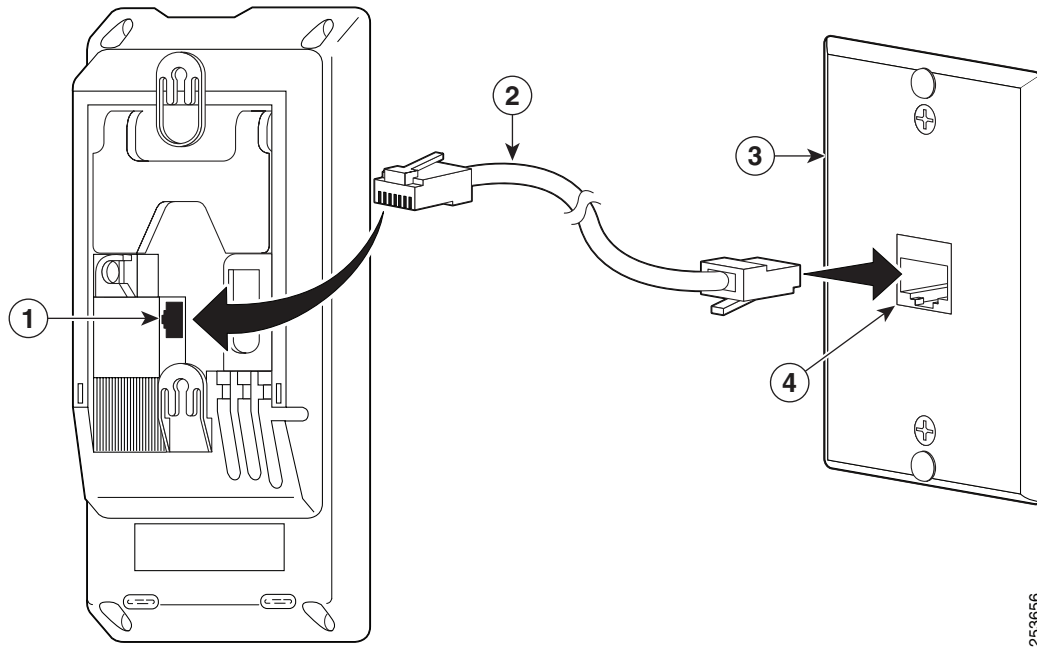
**Figure E-3** RJ45 Connector in the Phone Jack



1	Network Port on the Phone
2	RJ45 Connector

**Step 2** Plug the RJ45 connector into the wall mount phone jack (Figure E-4).

**Figure E-4** RJ45 Connector in the Wall Mount Jack

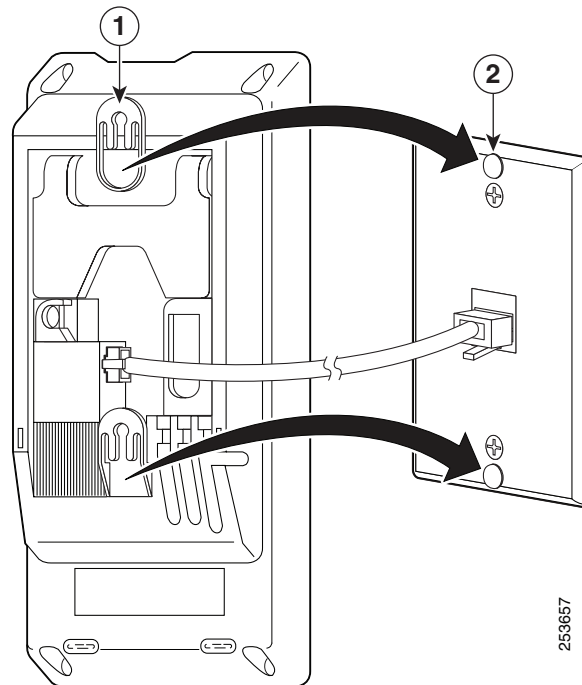


253656

<b>1</b>	Network Port on the Phone	<b>3</b>	Wall Mount Plate
<b>2</b>	RJ45 Connector	<b>4</b>	Network Port on the Wall Mount Plate

**Step 3** Slip the mounting holes on the base of the wall mount plate and over the wall mount pins (Figure E-5).

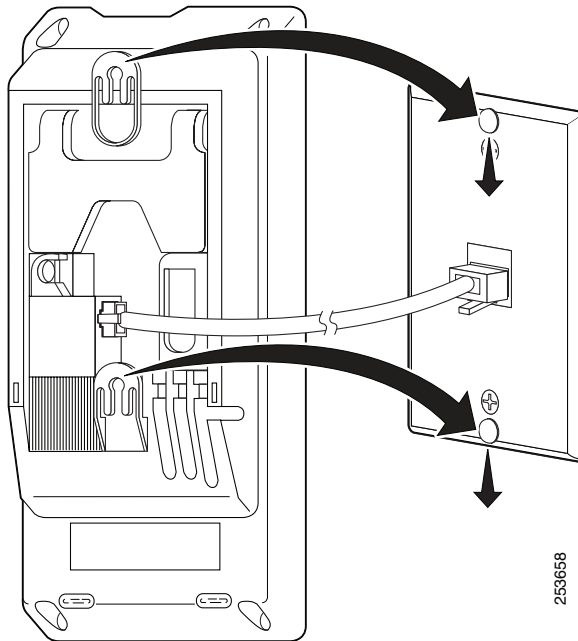
**Figure E-5** Mounting Holes



1	Mounting Hole on the Phone
2	Wall Mount Pin on the Wall Mount Plate

**Step 4** Firmly slide the IP Phone down into place (Figure E-6).

**Figure E-6** Sliding the IP Phone

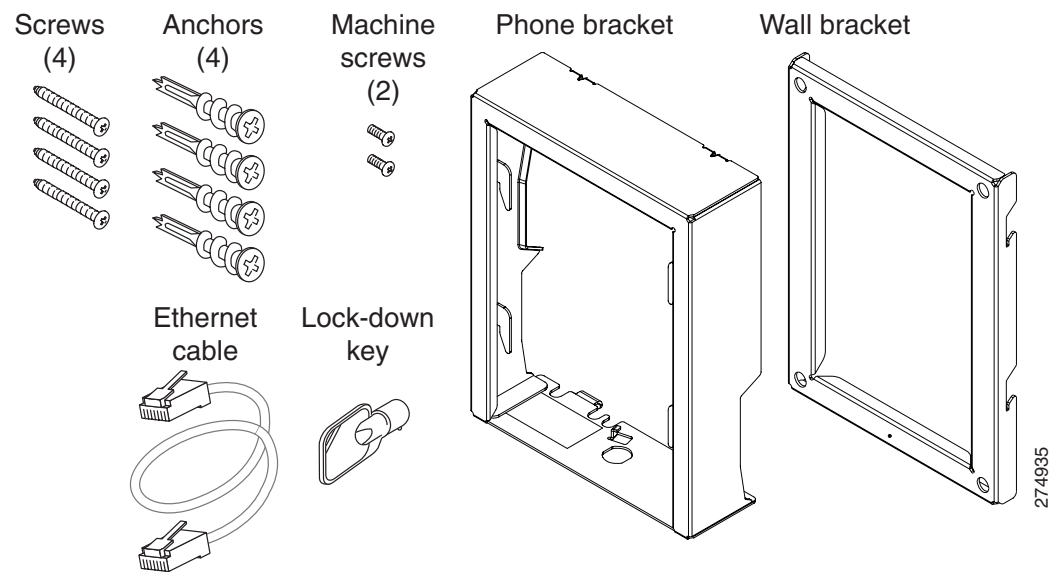


# Installing a Wall Mount for the Cisco Unified IP Phone 6911

The following section describes how to install the wall mount for use with the Cisco Unified IP Phone 6911.

Figure E-7 shows a list of items included in the Wall Mount Kit for the Cisco Unified IP Phone 6911.

**Figure E-7** Wall Mount Kit for Cisco Unified IP Phone 6911



The package includes the following items:

- One phone bracket
- One wall bracket
- Four 10-12x1 inch Phillips-head screws with 4 anchors
- Two 4-40x1/4 inch machine screws
- One six-inch Ethernet cable
- One key if the bracket includes the optional lock

## Before You Begin

You will need these tools to install the bracket:

- #1 and #2 Phillips-head screwdrivers
- Level

You must also install an Ethernet jack for the telephone in the desired location if an Ethernet jack does not currently exist. This jack must be wired appropriately for an Ethernet connection. You cannot use a regular telephone jack. For more information on phone installation requirements and warnings, see the [Setting Up the Cisco Unified IP Phone](#) chapter.

## Installing the Bracket

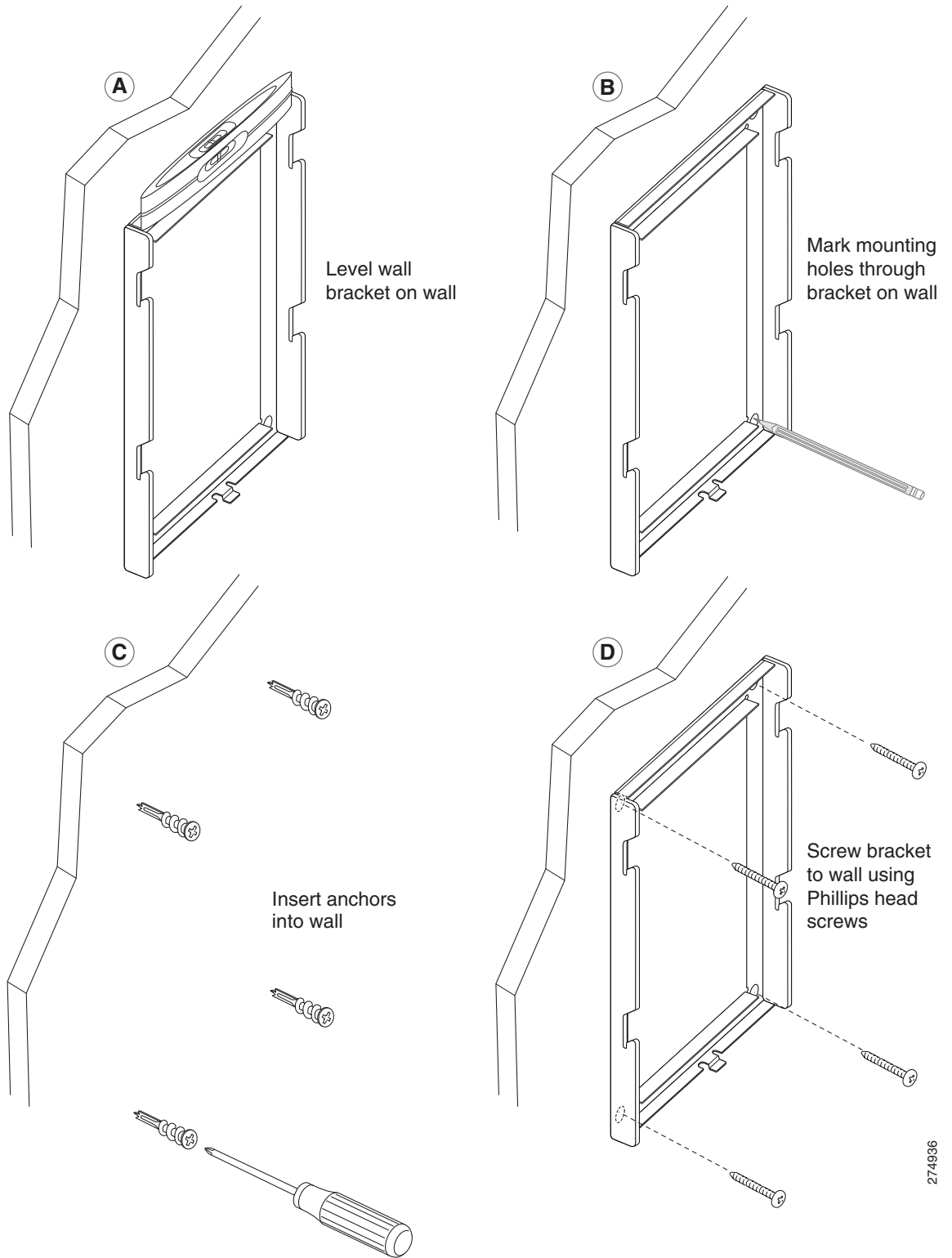
To install the phone on the wall, follow these steps:

### Procedure

- 
- Step 1** Mount the wall bracket in the desired location ([Figure E-8](#)). You can install the wall bracket over an Ethernet jack, or you can run the Ethernet network cable to a jack nearby.
- a. Use the Level to ensure the wall bracket is level, then use a pencil to mark the screw holes.
  - b. Using a #2 Phillips-head screwdriver, carefully center the anchor over the pencil mark and press the anchor into the wall to make markings on the wall.
  - c. Screw the anchor clockwise into the wall until it is seated flush.
  - d. Use the included screws and a #2 Phillips-head screwdriver to attach the wall bracket to the wall.

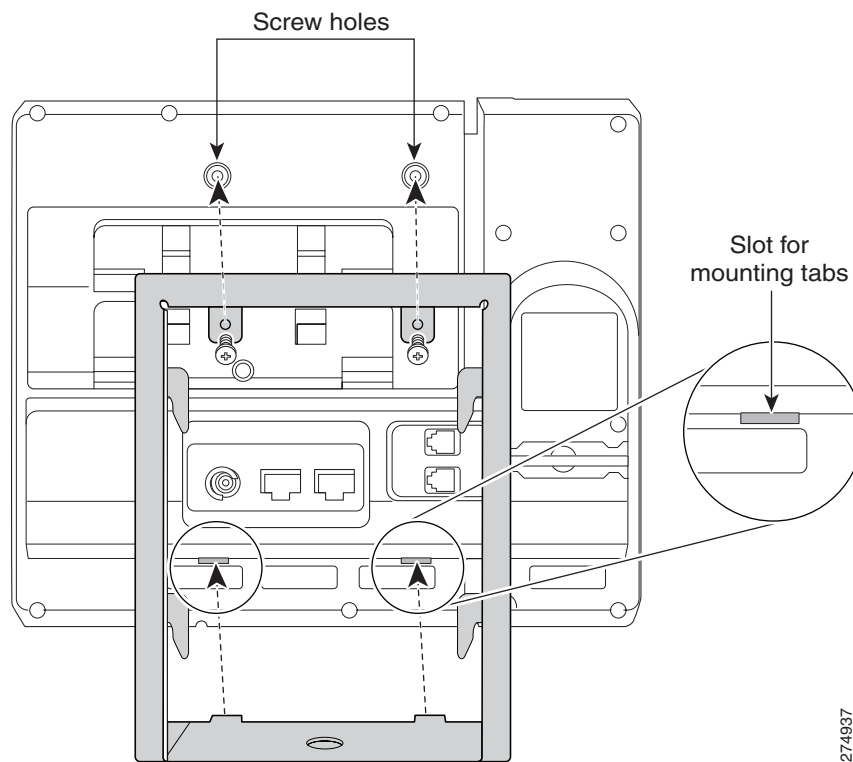


Figure E-8 Mounting the Wall Bracket



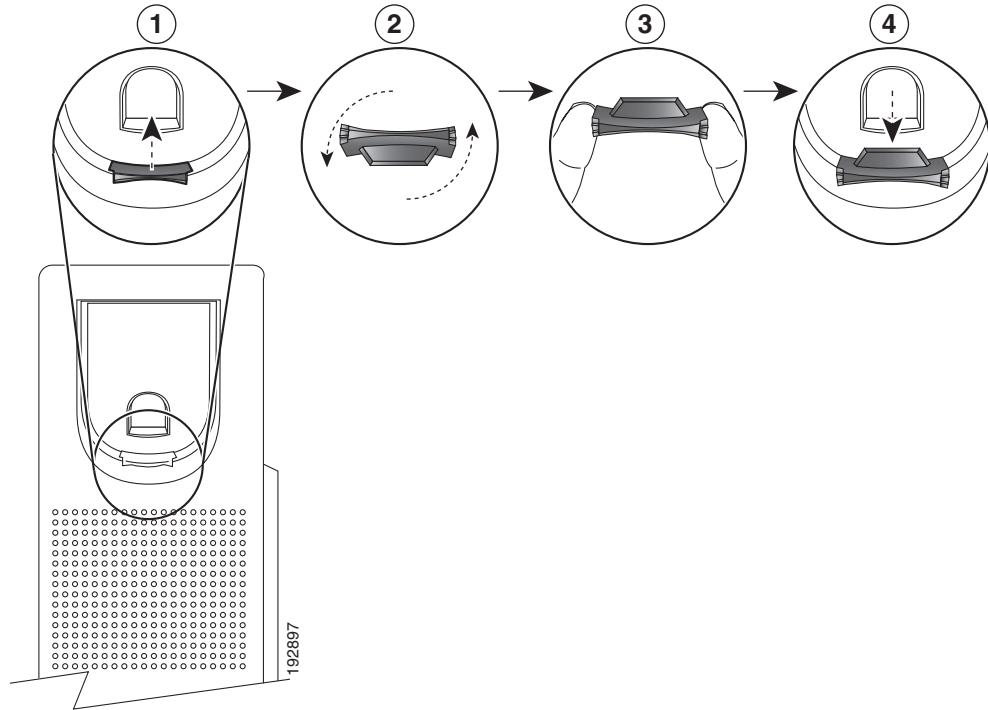
- Step 2** Attach the phone bracket to the IP Phone ([Figure E-9](#)).
- Detach the handset cord (and headset cord, if there is a headset), power cord, and any other attached cords from the base of the phone.
  - Remove the label covers that are concealing the screw holes.
  - Attach the phone bracket by inserting the tabs into the mounting tabs on the phone. The phone's ports should be accessible through the holes in the bracket.
  - Secure the phone bracket to the IP Phone with the Phillips-head screws.
  - Thread the handset cord (and headset cord, if using one). Reattach the cords and seat them in the clips incorporated into the phone body.

**Figure E-9** Attaching the Phone Bracket



- Step 3** Remove the handset wall hookswitch in the handset rest, rotate the hookswitch by 180 degrees, and reinsert the hookswitch. The hookswitch should have a lip on which the handset catches when the phone is vertical (Figure E-10).

**Figure E-10** Preparing the Handset Hookswitch

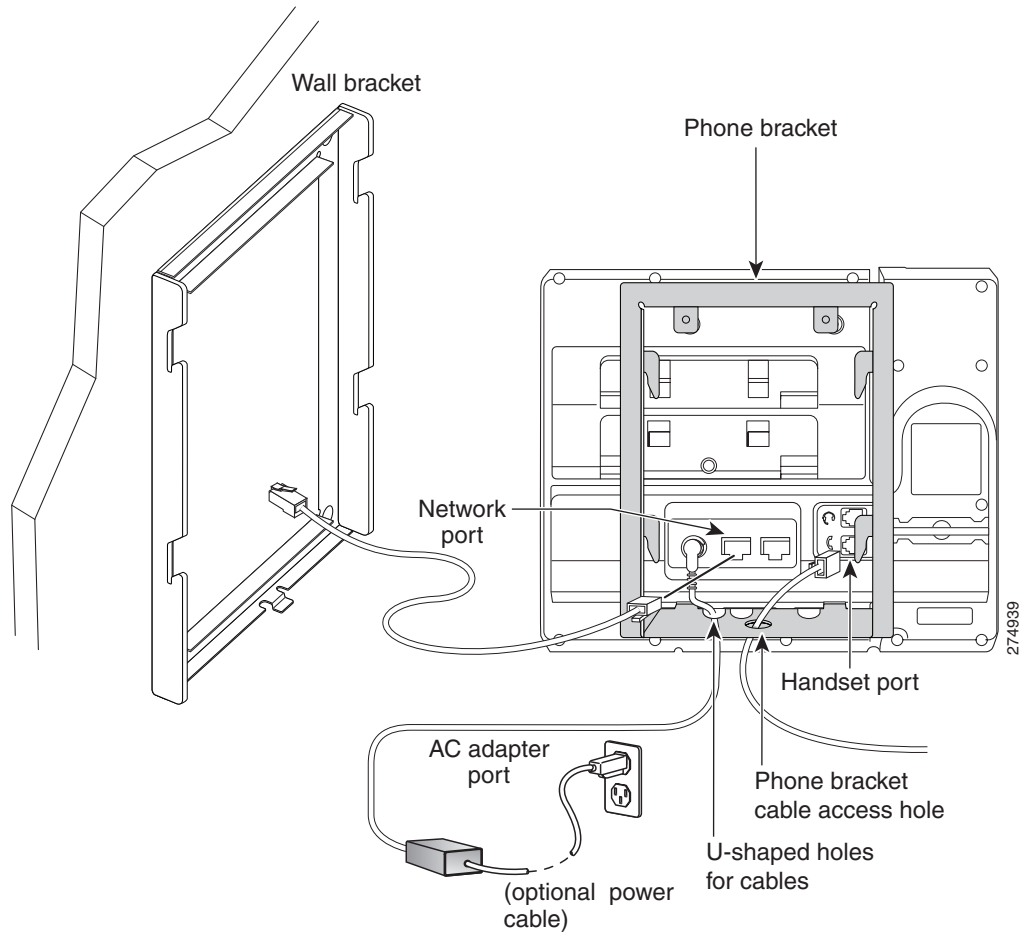


**Step 4** Attach the Ethernet cable to the 10/100 SW network port and wall jack.

If you are connecting a network device (such as a computer) to the phone, attach the cable to the 10/100 PC access port.

If you are using an external power supply, plug the power cord into the phone and dress the cord by clipping it into the clips incorporated into the phone body next to the 10/100 PC port (Figure E-11).

**Figure E-11 Attaching the Cables**



- Step 5** Attach the phone to the wall bracket by inserting the tabs on the top of the phone bracket into the slots on the wall bracket. Ensure that the power cord and any other cable that does not terminate in the wall behind the bracket are positioned in one of the cable-access openings in the bottom of the bracket. The phone and wall brackets' openings together form circular openings with room for one cable per opening (Figure E-12).
- Step 6** Use the locking key to lock the phone to the wall bracket.

**Figure E-12** Attaching the Phone to the Wall Bracket

